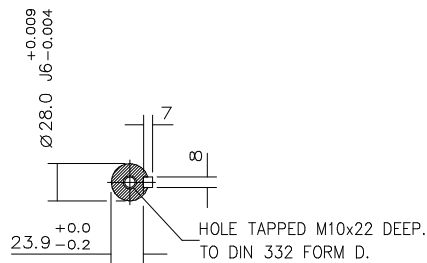
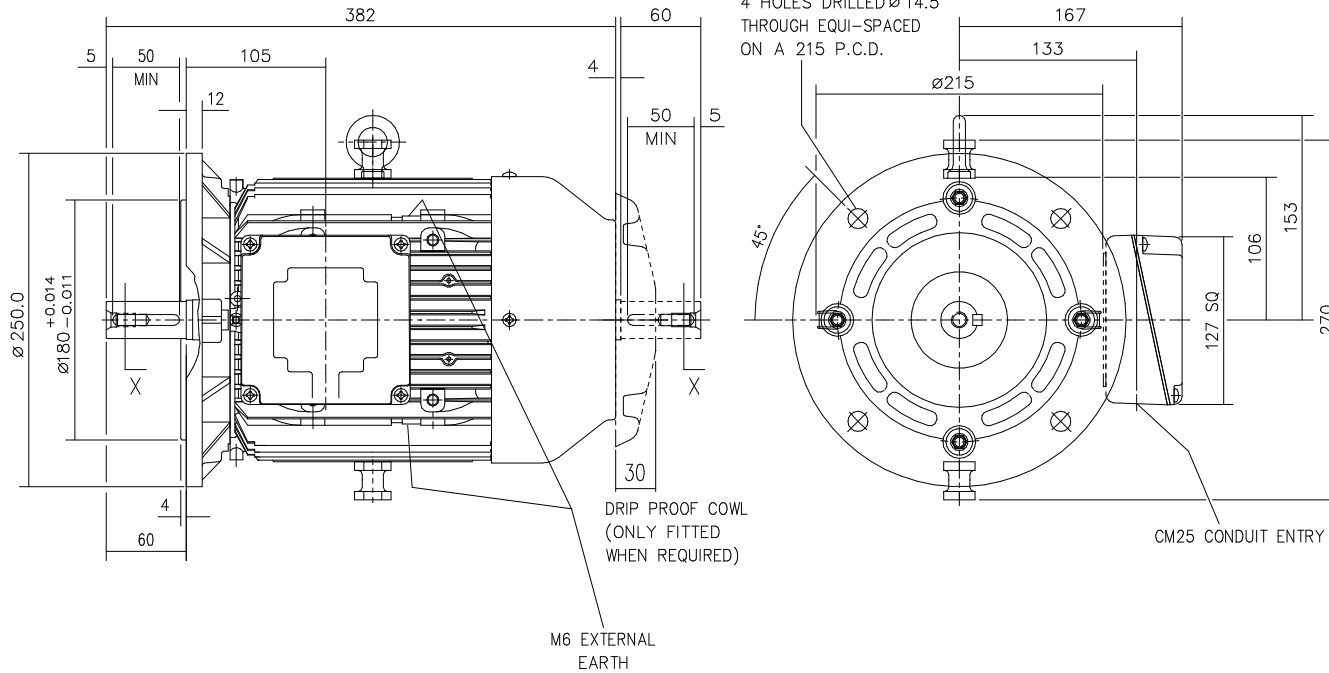


DRG. No. W12GD005/4

DRG. REF.



VIEW ON 'X'

TERMINAL BOX POSITION: - CAN BE ARRANGED AT EITHER 9,12 OR 3 O'CLOCK  
 STANDARD TERMINAL BOX POSITION IS 3 O'CLOCK AS SHOWN.  
 CONDUIT ENTRIES: - TERMINAL BOX CAN BE ROTATED AT 90° INTERVALS  
 (CONDUIT ENTRY POSITION SHOWN FOR ILLUSTRATION ONLY).

CUSTOMER		
ORDER No.		
PART No.		
OUR ORDER No.		
FRAME SIZE		
KW.	RPM.	
Hz	PHASE	
VOLTS	POLES	
BRGS.	DE.	NDE.
MOTOR NETT WT.	Kg.	
SPECIAL REMARKS		

ALL DIMENSIONS IN MILLIMETRES.



**BROOK CROMPTON**

Huddersfield, HD1 3LJ  
 ENGLAND

SHEET TITLE  
 SIZE A3 OUTLINE DIMENSION DRAWING W ALUMINIUM TOTALLY ENCLOSED FAN COOLED  
 112M FRAME 'D' FLANGE MOUNTED MOTOR

	NAME	DATE
DRAWN	RS	08-07-96
CHECKED	JWD	08-07-96
SCALE	1: 3.5	

DRG. No.	W12GD005/4		
DRG. REF.			
REVISION:	DH	DATE	27/10/03